

FM07

7" Vehicle Mounted Computer



KEY FEATURES

- Intel® Celeron® N3350 Apollo Lake
- 7" 1024 x 600 panel with projected capacitive Multi-Touch screen
- Wide power input 9-36V DC with ignition
- M12 waterproof connectors
- IP65 waterproof and dustproof
- Shock and vibration resistance according to MIL-STD-810G



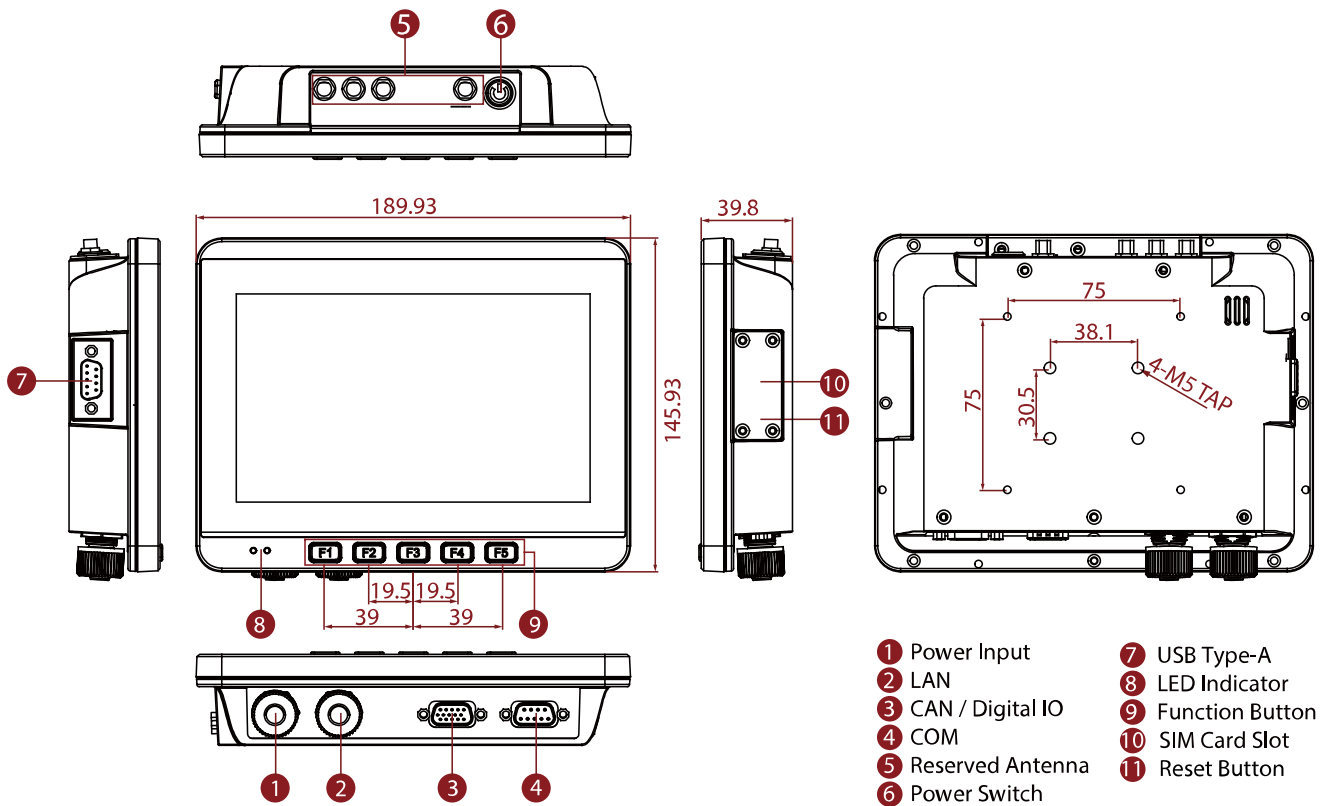
SPECIFICATIONS

| Display | | | |
|----------------------------|---|------------------------------|---|
| Resolution | 1024x600 | Size | 7.0 inches |
| Contrast Ratio | 700:1 | Panel Brightness | 1000 nits |
| View Angles | 75,75,75,70 | Touch / Glass | Projected Capacitive Multi Touch Screen |
| System Specification | | | |
| Processor | Intel® Celeron® N3350 (2M Cache, up to 2.4 GHz) Intel® Pentium® N4200 (2M Cache, up to 2.5 GHz) (Optional) | Memory | 1 x SO-DIMM, 4GB DDR3L 1600 MHz 1 x SO-DIMM, 8GB DDR3L 1600 MHz (Optional) |
| Storage | 1 x M.2 2242 SSD 64GB | Ethernet controller | 1 x Intel® Ethernet Controller I210-AT |
| Operating System | Windows 10 IoT Enterprise Linux Ubuntu 18.04 (Optional) | WLAN | 802.11 a/b/g/n/ac mode |
| BT | BT Support | WWAN | 4G/LTE (Optional) |
| GNSS | GPS/AGPS | | |
| Environment | | | |
| Operating Humidity | 10% to 95% RH | Operating Temperature | -20°C to 60°C |
| Storage Temperature | -20°C to 60°C | Shock | MIL-STD-810G Method 516.6 Procedure I, 30 g for 18 ms |
| Vibration | MIL-STD-810G Method 514.6 Procedure I, 1.60/ 1.96/ 2.18 g rms for XYZ/ 5-500 Hz | IP rating | IP65, Dustproof and Waterproof |
| Certification | | | |
| Certification | CE, FCC, E-mark | | |
| IO Ports | | | |
| USB Port | 2 x USB for DB9 | Serial Port | 1 x COM Port |
| SIM Card Slot | 1 x SIM Card Slot | Audio | 1x Speaker |
| LAN | 1 x Gigabit Ethernet LAN 10/100/100 Mbps (M12 type) | Front Control | 5 x Function Key |
| Indicator | Power, HD | DIDO | DIDO (5XDI ; 3XDO) |
| CANBUS | 2 Port CANBus | | |
| Control | | | |
| Button | 1 x Power Button, 5x Function Button (Programmable Function Key Configured by | | |

Winset)

| Mechanical | | | |
|----------------|---|--------------------|---|
| Dimension | 188.75 x 144.75 x 39.5 mm | Mounting | RAM Mount/ VESA Mount |
| Cooling System | Fanless Design | | |
| Accessory | | | |
| Accessory | User Guide Driver CD M12 LAN Cable, 1.8m RS-232 Cable, 1.8m M12 Power Cable, 1.8m USB Cable, 0.3m CANBus Cable, 1.8m Wi-Fi Antenna Power Converter Cable Power Adapter | Optional Accessory | WWAN Antenna x 2 (Optional) Audio Cable, 0.3m (Optional) GPS Antenna, 3m (Optional) |
| Power | | | |
| Power Rating | 9V-36V, with ignition control | | |

DIMENSIONS UNIT:MM



NOTE

1. Total usable memory will be less dependent upon actual system configuration.
2. Length measurements do not include protrusions. Weight varies with options.
3. Accessories may vary depending on your configuration.
4. This is a simplified drawing and some components are not marked in detail.
5. The product shown in this datasheet is a standard model. For diagrams that contain customized or optional I/O, please contact the Winmate Sales Team for more information.